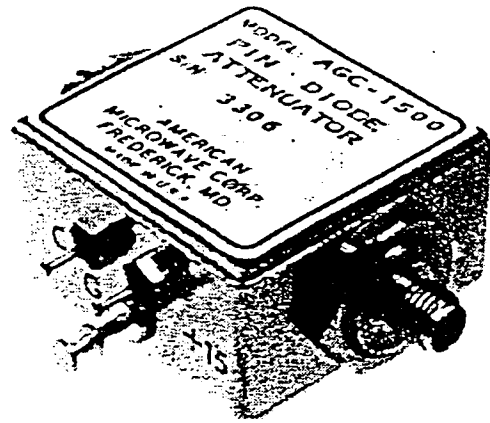


AMERICAN Microwave Corporation

BROADBAND SOLID-STATE ATTENUATOR MODEL AGC-1500 5-2000 MHz



FEATURES

- Absorptive Attenuator
- Solid-State Reliability
- Single Control
- 5 to 2000 MHz Frequency Range
- 25 dB Attenuation

SPECIFICATIONS

- Frequency Range: 5 to 2000 MHz
- Insertion Loss: 3.5 dB, Max
- Attenuation Range: 20 dB, worst case
- VSWR: 2.5 to 1, worst case
- Intercept Point (3rd order): +30 dBm
- Response Time: 75 μ sec, Typical
- Bias: +15 Volts @ 15 ma
- Control: 1 to 15 Volts @ 7 ma, Max
- RF Connectors: SMA, BNC, TNC, N

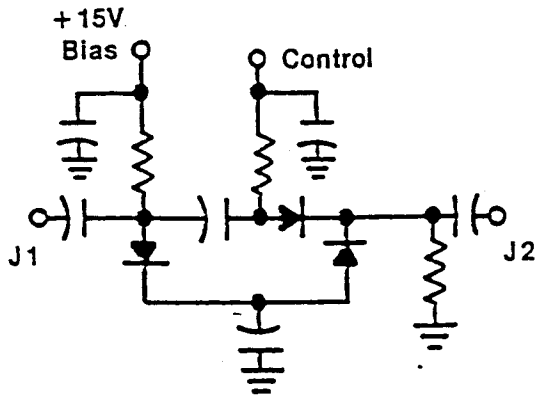
DESCRIPTION

The AGC-1500 is an all Solid-State, Absorptive Type Pin Attenuator that covers the 5 to 2000 MHz band. The attenuation is voltage controlled by a single control providing up to 35 dB of power variation. Rugged microstrip construction makes this unit suitable for military environments.

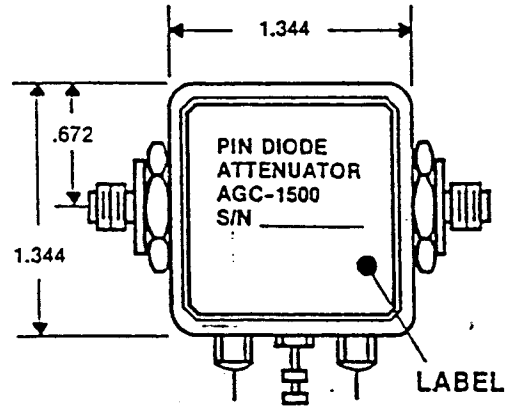
6/85

7311G GROVE ROAD, FREDERICK, MARYLAND 21704 (301) 662-4700

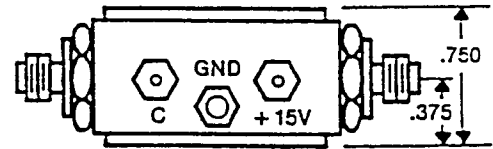
FUNCTIONAL SCHEMATIC



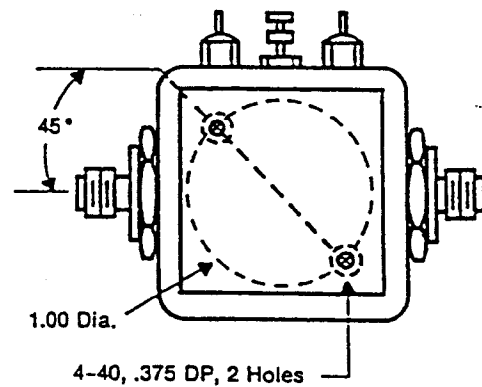
MECHANICAL DATA



TOP VIEW

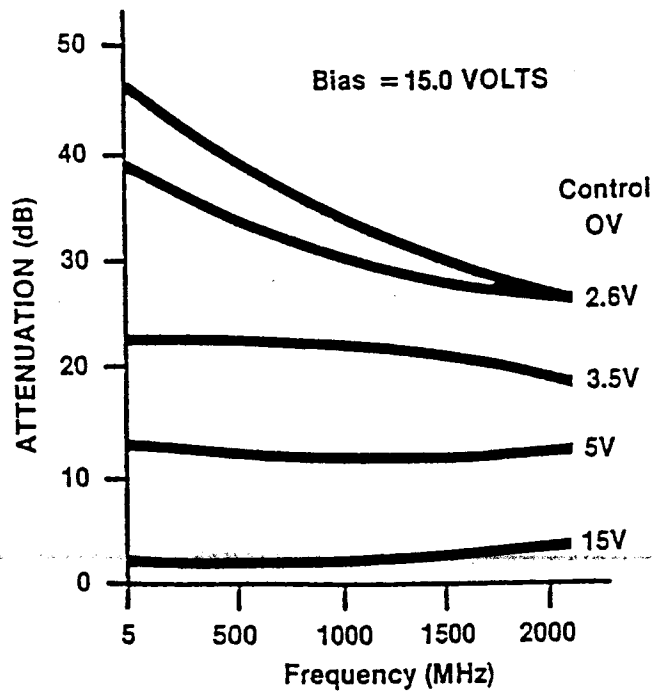


SIDE VIEW



BOTTOM VIEW

TYPICAL PERFORMANCE



DIMENSIONS: INCHES